

# AutoChill® System with Adjustable Docking Station (20CA)



for use with Aircast® Cryo/Cuff® cold and compression dressings

The AutoChill System with Adjustable Docking Station provides a simple, effective means of storing AutoChill components while attaching the entire system to a bed rail. AutoChill enhances Aircast Cryo/Cuff products by eliminating the need for manual water recycling through the use of an electronic pump to substitute warm water for cold. Pulsating pressure resulting from the automatic exchange of water provides comfort and the therapeutic benefits of intermittent compression.

The AutoChill System with Adjustable Docking Station has three parts:

**Air Pump with Docking Station** – hangs on a bed rail and pressurizes the cooler, automatically recycling warm water for cold.

**Air Tube Assembly** – exchanges air between pump and cooler.

**Wall Adapter** – provides power for operation.

## OPERATION

During AutoChill operation, the electronic pump automatically cycles compressing the air in the cooler to force chilled water into the cuff. This repetitive cycling maintains continuous cold and applies soothing pulsating pressure. (Figs. 1 and 2).

If the cooler is tipped from its upright position, the check valve on the tube assembly will close off the air tube, preventing water from entering the pump and causing pump damage. The excess water will be vented from the air tube outside of the system. Once the cooler is up-righted, the system will self-clear.



## CONTRAINDICATIONS

Cryotherapy should not be used on persons with Raynaud's or other vasospastic disease, cold hypersensitivity, decreased skin sensitivity, or compromised local circulation. Observe all Cryo/Cuff Contraindication, Caution, and Warning statements.

Fig. 1 Typical AutoChill Temperature & Pressure

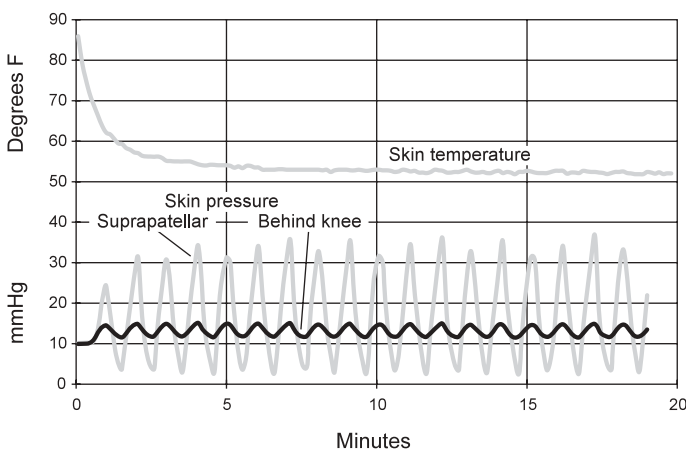
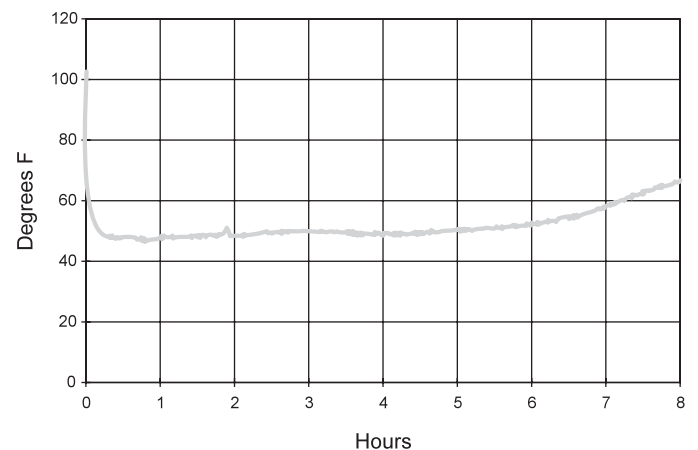


Fig. 2 Typical 8 Hour Temperature Curve



## LATEX

All Aircast products are latex-free.

## WARRANTY POLICY

**Satisfaction** – Aircast will provide prompt refund for any product that does not satisfy the physician for any reason whatsoever.

**Durability** – Aircast will provide replacement parts for any AutoChill System that becomes unserviceable for any reason for a period of one year from date of sale provided the worn part is returned for analysis.

# AutoChill® System with Adjustable Docking Station (20CA) Instructions:

**1 Prepare cooler** (See *Cryo/Cuff® instruction sheet*.)

**2 Apply the EMPTY cuff** (See *Cryo/Cuff instruction sheet*.)

**3 Fill cuff** (See *Cryo/Cuff instruction sheet*.)

When using the AutoChill System, the cooler must remain connected to cuff.

**4 Setup Docking Station**

Remove wall adapter from docking station. Hang docking station on top horizontal bed rail. Center black knob on a vertical bed rail (Fig. 3). Tighten black knob until docking station is secure. Press sides of strap buckle until buckle opens. Rest cooler on docking station platform. Wrap strap around cooler and close buckle (Fig. 4).

**5 Correctly position Adjustable Docking Station**

Correctly position Adjustable Docking Station by pulling the white knob and sliding the docking station up or down. The base of the cooler should be even with the bottom of the cuff. **Do not raise cooler above the cuff when using the AutoChill System.**

**6 Connect air pump**

Connect clear air tube from pump to fitting on cooler lid, with check valve at cooler end. Connect wall adapter power cord to bottom of pump. Plug wall adapter into outlet and set pump power switch to correct position to begin AutoChill operation (Fig. 5).

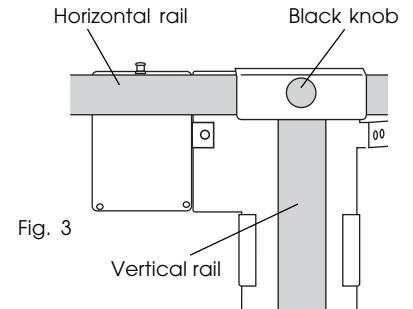


Fig. 3

Hang docking station on horizontal rail. Center black knob on vertical rail.

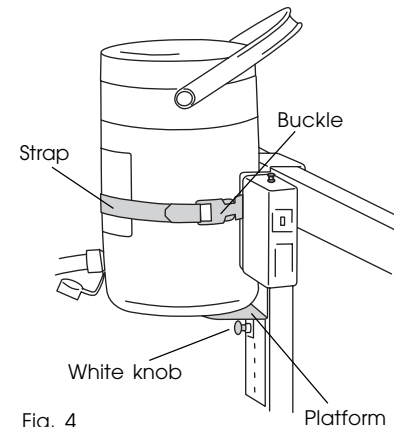
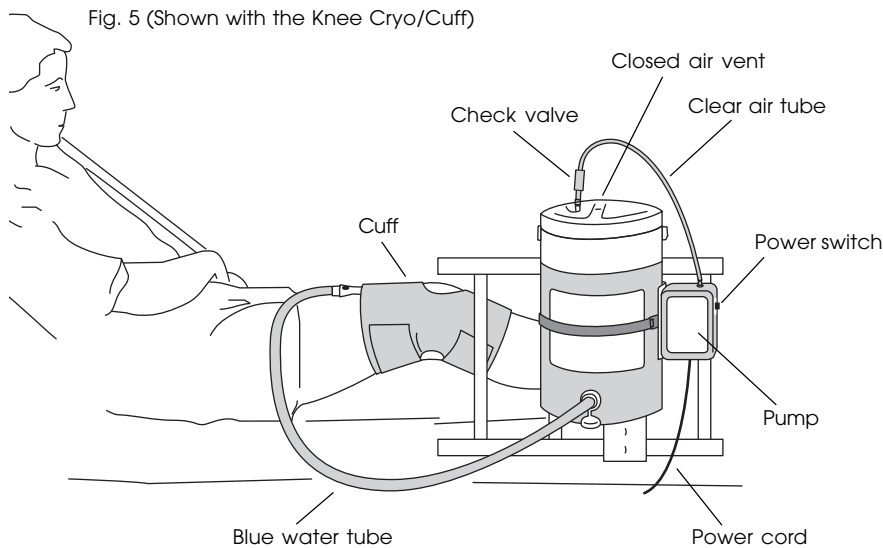


Fig. 4

Open buckle and rest cooler on platform. Wrap strap around cooler and close buckle.



**The AutoChill System with Adjustable Docking Station can be used with all Aircast Cryo/Cuff products.**

## CAUTION

- Patient's skin should be observed frequently due to individual sensitivity and susceptibility to cold.
- Do not allow fluid to come in contact with the air pump.
- Unplug pump before cleaning to prevent electrical shock.
- Federal law restricts this device to sale by or on the order of a licensed healthcare professional.

## WARNING

- Risk of explosion if used in the presence of flammable anesthetics.
- If bandages or dressings become moist or wet, discontinue use of the AutoChill System and immediately contact your healthcare professional.